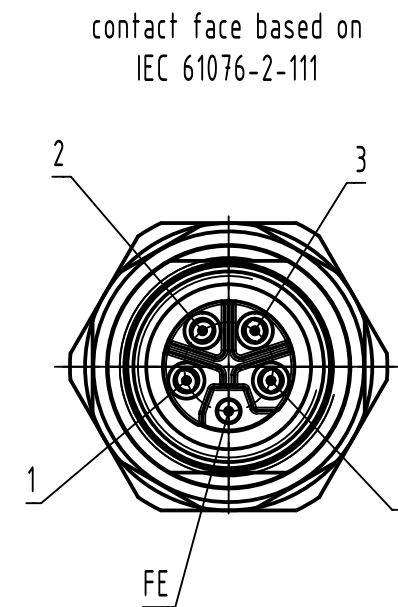
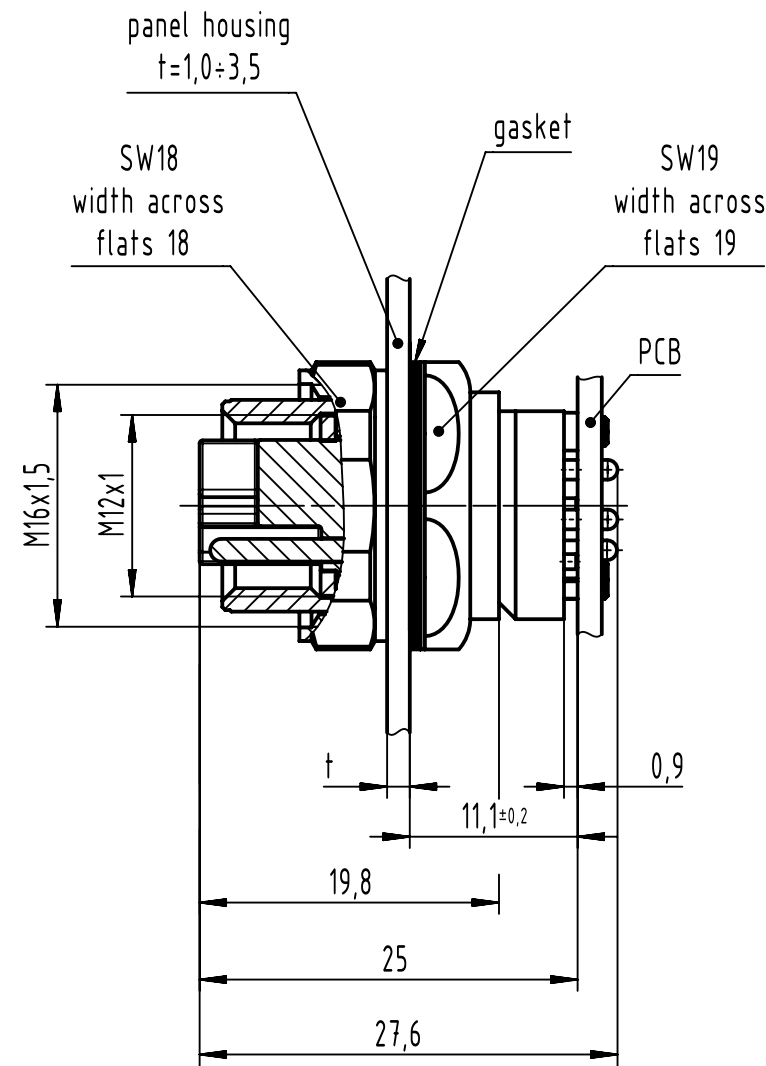
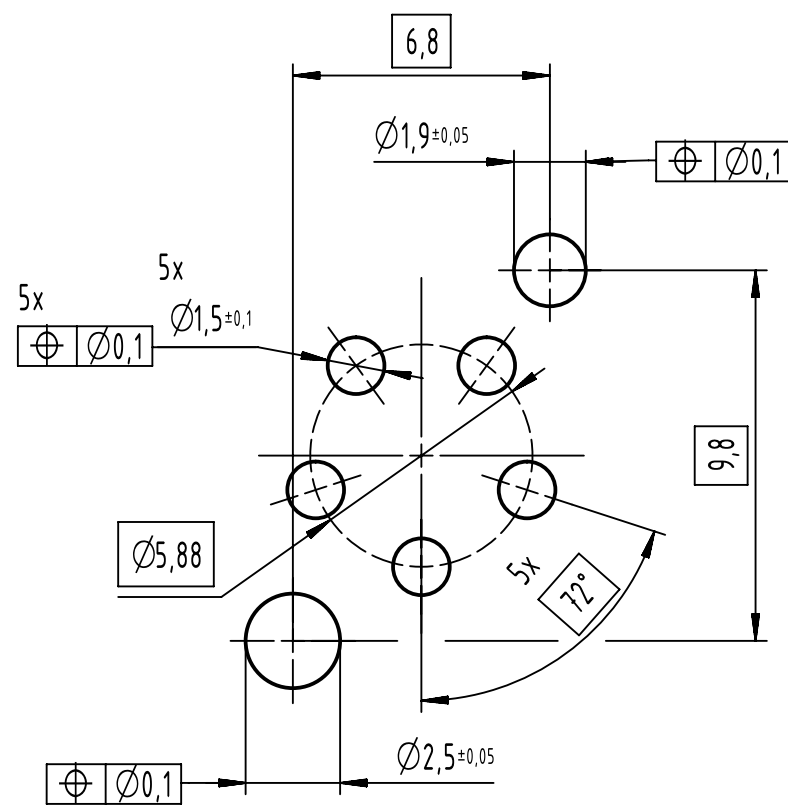
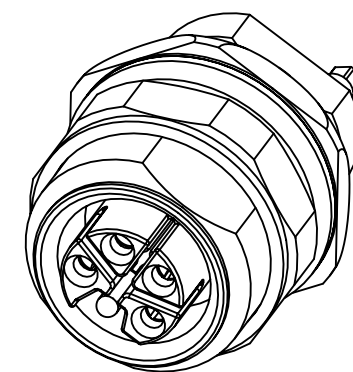
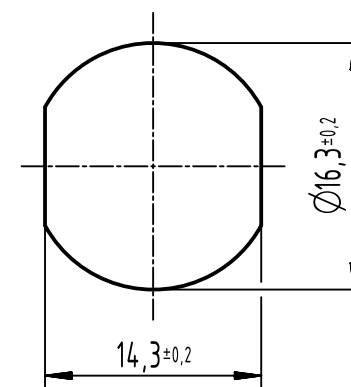


A (5:1)
recommended PCB-layout



panel cut out



	All rights reserved Department EL PD	All Dimensions in mm Original Size DIN A3		Scale 2:1	Free size tol.	Ref. Sub.
		Created by SERBANA	Inspected by FARCASIU	Standardisation ROEBEN	Date 2022-10-28	State Final Release
HARTING D-32339 Espelkamp		Title M12-PCB-THR-2PC-5P-LCOD-F-STR-SHLD			Doc-Key / ECM-Nr. 100600965/UGD/000/E 50000226528	
		Type TB	Number 21033962530		Rev. E	Page 1/1